



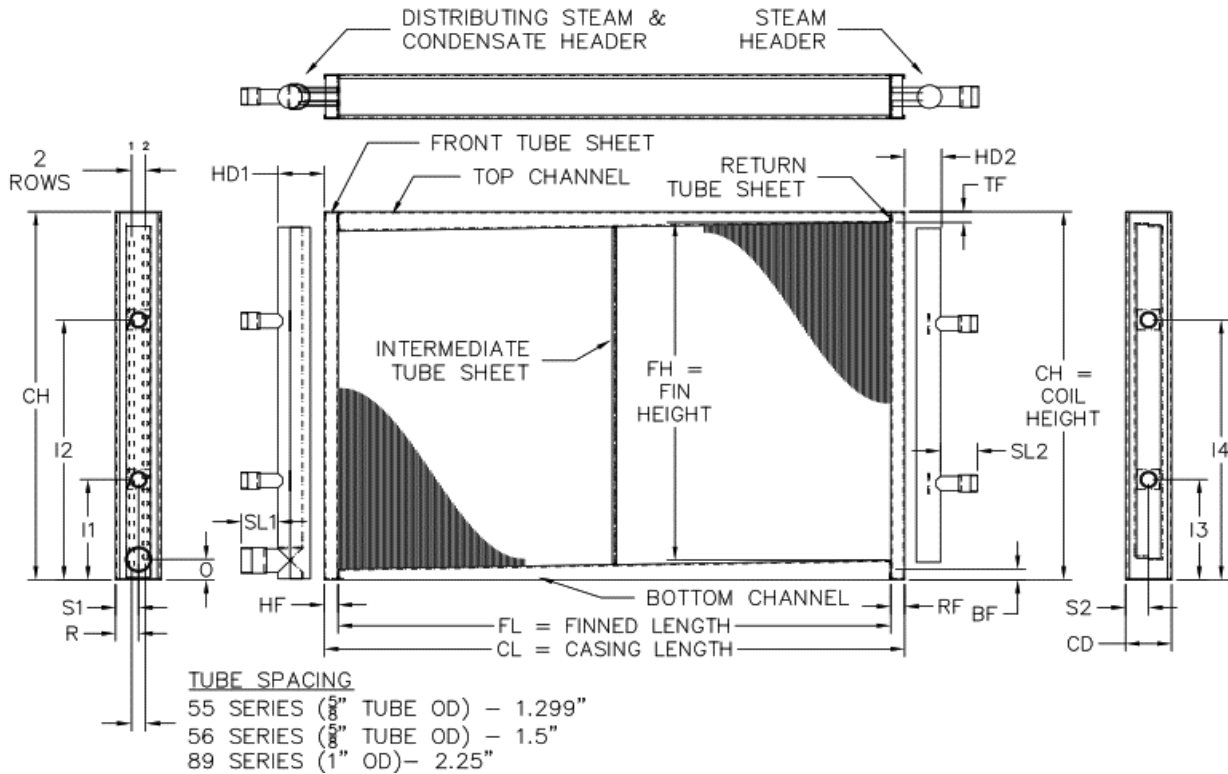
HEAT TRANSFER SOLUTIONS
 PO BOX 171
 HIGH RIDGE, MO 63049
 T: 636.677.6600 F: 636.677.1203
www.marlocoil.com

PROJECT: _____
TAG #: _____
QTY: _____
NOTES: _____

Please complete as much information as possible.

Replacement Coil Order Form

Steam Coil (Distributing Steam Type D or H)



FINS		CASING							HD1/ HD2	CONNECTIONS								
FH	FL	BF	TF	CH	HF	RF	CL	CD	SL1	SL2	S1/S2	O	I1/I2	I3/I4	R			
ROWS				TUBE DIAMETER				(5/8" 1" _____)	FIN MATERIAL									
TUBES HIGH				TUBE MATERIAL				ALUM	(.008	.010	.016	.020	.025)					
TUBES ENTERING HEADER				COPPER				(.025	.028	.035	.049	.065)	COPPER:	(.007	.010	.016	.020	.025)
FIN TYPE (FLAT or TURBEX)				STEEL				(.035	.049	.065)	STEEL:	(.010	.016)					
FINS PER INCH SPACING				SST				(.035	.049)	SST:	(.008	.010)						
AIRFLOW DIRECTION (H or V)				CU/NI				(.035	.049)	CU/NI:	(.007	.010)						
TUBE ORIENTATION (H or V)				ALUM				(.049	.065	.083)	CASING		(Galvanized	304L SST	316L SST)			
COIL HAND (RIGHT or LEFT)				HEADER MATERIAL/THICKNESS				(Copper M/L/K	Sch 40/80 Steel	Sch 40/80 304/316 SST)								
CONNECTION SIZE				CONNECTION MAT & TYPE				(Copper	Brass	Steel	SST)	(MPT	FPT	Plain End	Flanged)			
QTY INTERMEDIATE TUBE SHEETS				COATING				(Phenolic	Electrofin)	PRIORITY SHIPMENT		(5 day	10 day	15 day)				
OPTIONS (check in box)				VERTICAL AIRFLOW (circle) (sloped core field sloped)				NOTES										
Header Wrap								VERTICAL AIR FLOW ORIENTATION Specify the condensate connection location 										
Duct Mounting Holes																		
Removable Channels																		
Copper Ferrules																		
Integral Drain Pan																		
Lifting Lugs (Welded)																		
Lifting Lugs (Bolted)																		