

PROJECT: \_\_\_\_\_

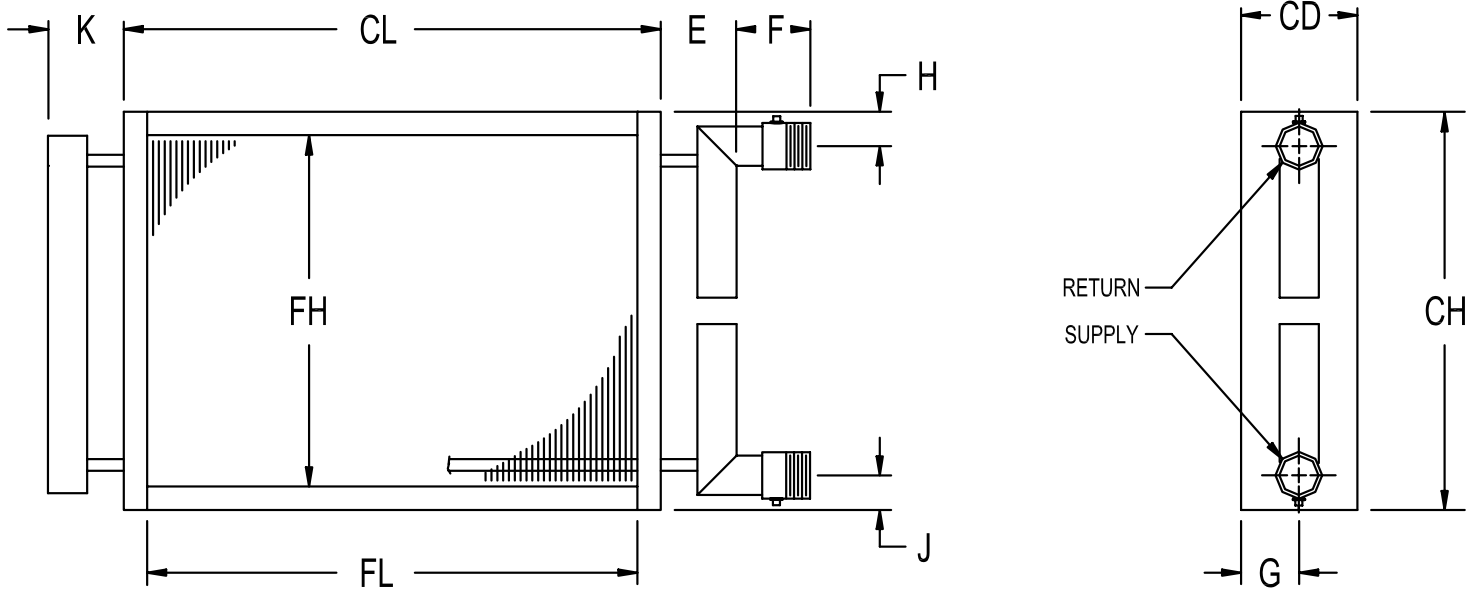
ITEM #: \_\_\_\_\_

QTY: \_\_\_\_\_

TAG #: \_\_\_\_\_

## Replacement Coil Order Form

## WATER COIL (One Row)



FH	FL	CH	CL	CD	E	F	G	H	J	K

ROW	1	TUBE MAT'L: (CIRCLE THICKNESS)	FIN MAT'L (CIRCLE THICKNESS)
TUBES HIGH		COPPER: (.025 .028 .035 .049 .065)	ALUM.: (.008 .010 .016 .020 .025)
TUBES ENTERING HEADER		STEEL: (.035 .049 .065)	COPPER: (.007 .010 .016 .020 .025)
FIN TYPE (Flat Or Turbex)		SST: (.035 .049)	SST: (.008 .010)
FINS PER INCH		CU/NI: (.035 .049)	CU/NI (.007 .010)
AIR FLOW (H OR V)		ALUMINUM: 5/8" (.049 .065) 1" (.049 .065 .083)	STEEL (.010 .016)
TUBE ORIENTATION (H OR V)		CASING MATERIALS: ( Galvanized Stainless Steel )	
COIL HAND (Right Or Left)		CONNECTION MATERIAL: ( Steel Copper Stainless Steel Brass)	
CONNECTION SIZES		CONN. TYPE : (MPT FPT Plain End Other: _____)	

SPECIAL OPTIONS: ( Duct Mounting Holes Header Enclosure Copper Ferrules Turbulators )  
 COATINGS: (Electrofin or Phenolic) PRIORITY SHIPMENT: ( 5 Day 10 Day 15 Day )

### NOTES

---



---



---



---