

PROJECT: _____

ITEM #: _____

QTY: _____

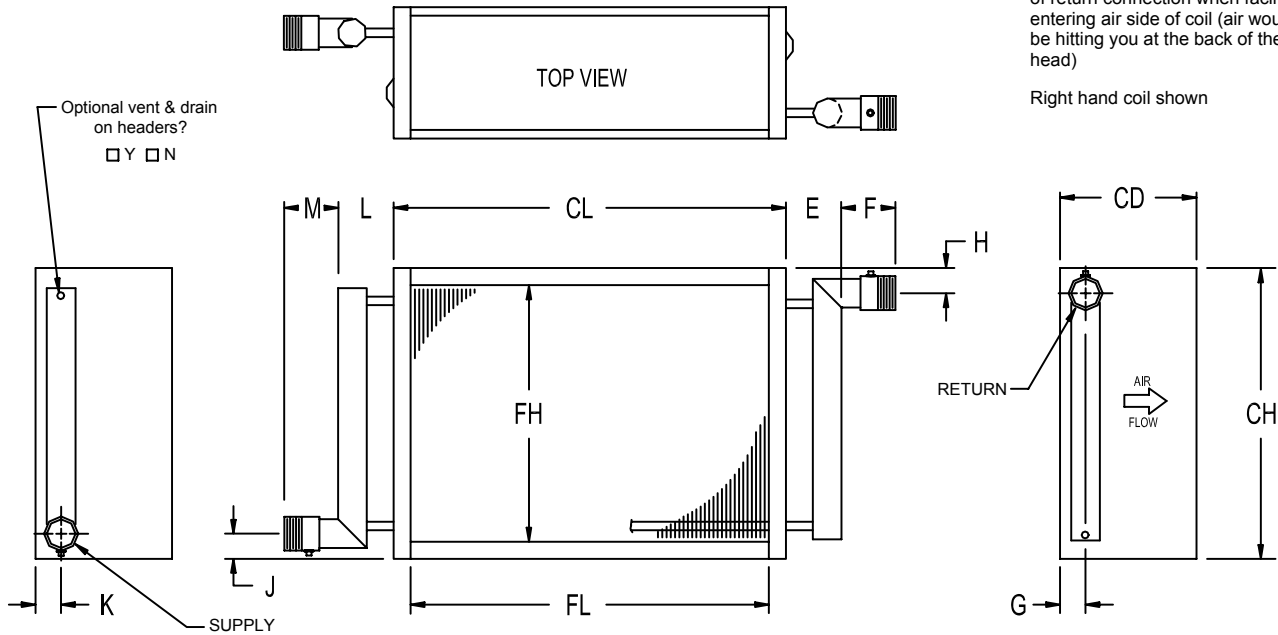
TAG #: _____

Replacement Coil Order Form

WATER COIL (Multi-Row, Opposite End Connections)

Coil hand determined by location of return connection when facing entering air side of coil (air would be hitting you at the back of the head)

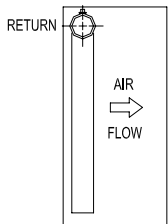
Right hand coil shown



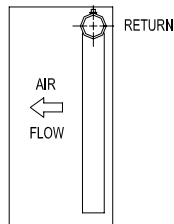
FH	FL	CH	CL	CD	E	F	G	H	J	K	L	M
ROW			TUBE MAT'L: (CIRCLE THICKNESS)				FIN MAT'L (CIRCLE THICKNESS)					
TUBES HIGH			COPPER: (.025 .028 .035 .049 .065)				ALUM.: (.008 .010 .016 .020 .025)					
TUBES ENTERING HEADER			STEEL: (.035 .049 .065)				COPPER: (.007 .010 .016 .020 .025)					
FIN TYPE (Flat Or Turbex)			SST: (.035 .049)				SST: (.008 .010)					
FINS PER INCH			CU/NI: (.035 .049)				CU/NI (.007 .010)					
AIR FLOW (H OR V)			ALUMINUM: 5/8" (.049 .065)				STEEL (.010 .016)					
			1" (.049 .065 .083)									
TUBE ORIENTATION (H OR V)			CASING MATERIALS: (Galvanized Stainless Steel)									
COIL HAND (Right Or Left)			CONNECTION MATERIAL: (Steel Copper Stainless Steel Brass)									
CONNECTION SIZES			CONN. TYPE : (MPT FPT Plain End Other: _____)									

SPECIAL OPTIONS: (Duct Mounting Holes Header Enclosure Copper Ferrules Turbulators)
 COATINGS: (Electrofin or Phenolic) PRIORITY SHIPMENT: (5 Day 10 Day 15 Day)

Choose coil hand or indicate connection arrangement and air flow on the examples below



RIGHT HAND



LEFT HAND

NOTES
